

STREET

EDGE

& B E Y O N D

COAXIAL SPEAKER  
USER GUIDE



## INTRODUCTION

This instruction manual is for your safety and must be adhered to at all times. Please read and ensure that you fully understand the installation and set up procedures as explained. If you are unclear on the installation or set up of your EDGE speakers please contact your nearest authorised EDGE dealer.

### Contents

- 2 x EDGE speakers.
- 2 x Grills.
- 8 x Fixing screws.
- 1 x Cut out template.
- 2 x Lengths of speaker cable.
- Warranty card

### WARNING

DO NOT EXPOSE THIS PRODUCT TO DAMP OR MOISTURE - doing so may result in fire, shock or damage to the product.

BEFORE WIRING DISCONNECT THE CABLE FROM THE POSITIVE BATTERY TERMINAL - failure to do so may result in electric shock or injury.

ENSURE GOOD AND CORRECT CONNECTIONS - failure to make the correct connections may result in fire or damage to the product.

DO NOT USE ANY FUNCTIONS OF THIS EQUIPMENT THAT MAY TAKE YOUR CONCENTRATION AWAY FROM DRIVING YOUR VEHICLE - do not set up your amplifier whilst driving, doing so may result in an accident. For prolonged setting up, make sure that your vehicle is stationary and in a safe location.

KEEP THE VOLUME AT A LEVEL SO YOU CAN STILL HEAR OUTSIDE NOISE - failure to do this may result in an accident. EDGE equipment is capable of producing sound levels that can permanently damage your hearing. EDGE recommends caution when listening at high volume. For safe and enjoyable listening the sound should be comfortable and clear without distortion.

### CAUTION

Never connect any speaker lead to the car chassis. This can cause severe damage to your speaker /car radio /amplifier.

Before drilling or cutting any holes, investigate the layout of your vehicle thoroughly.

Use caution when working near the fuel / hydraulic lines and electrical wiring.

Observe the correct polarity when wiring, improper phasing may cause a loss of bass response.

Ensure that no moving parts catch on the speaker or grill (e.g. window or door handles, or window glass inside the door)

## Installation

The quality of the installation will affect the system performance and reliability. Contact your nearest authorised EDGE dealer if you are unsure about the installation of this product.

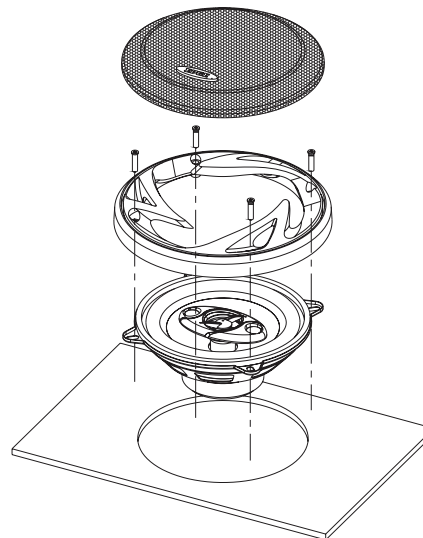
Please mount this unit away from any potential hazards.

Minimising the length of wires will provide higher audio output from the system.

The speaker should be securely fastened to the mounting position using the screws provided.

Pre drill your mounting holes using a drill and position with the template provided.

Be sure to investigate your mounting area thoroughly for electrical wires, brake or fuel lines or fuel tank to prevent causing any damage.



Firstly, make sure that the speakers will fit in your chosen location. This may involve the removal of the standard vehicle speakers. Please use the mounting depth and hole cut dimensions as detailed in this manual for guidance.



